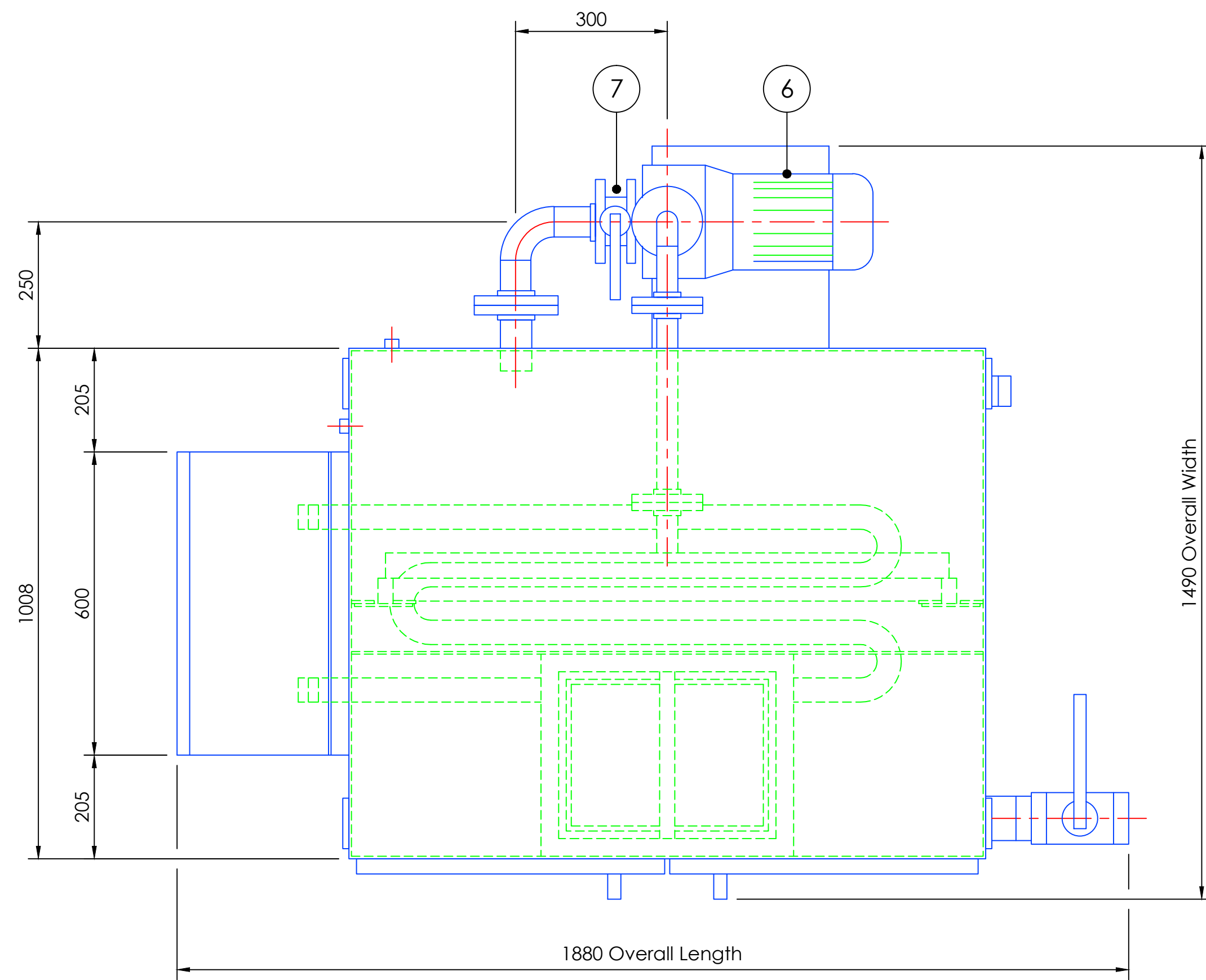
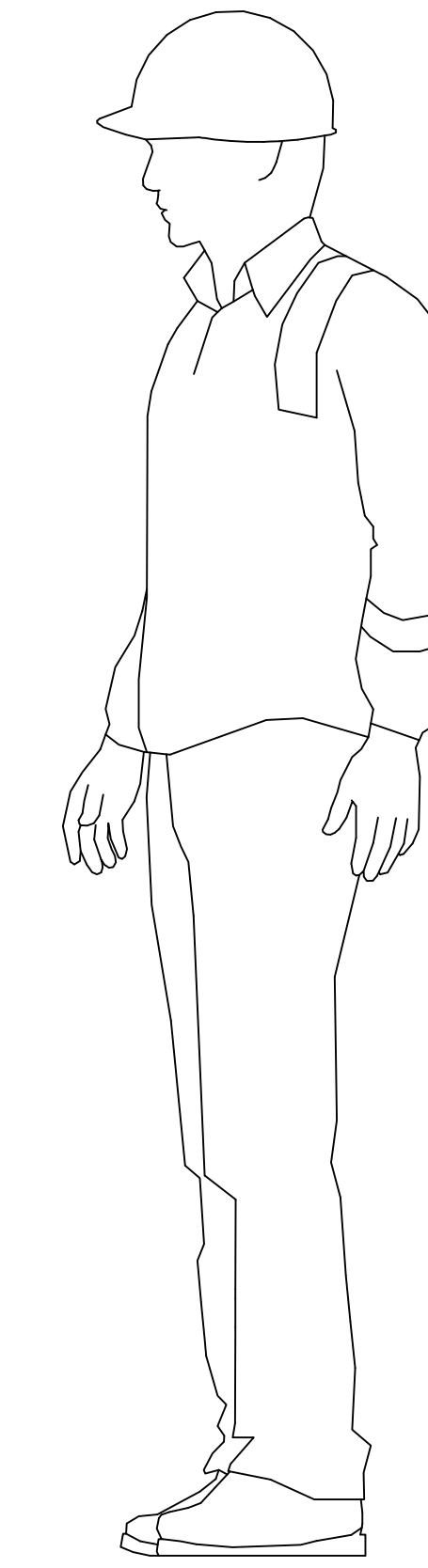
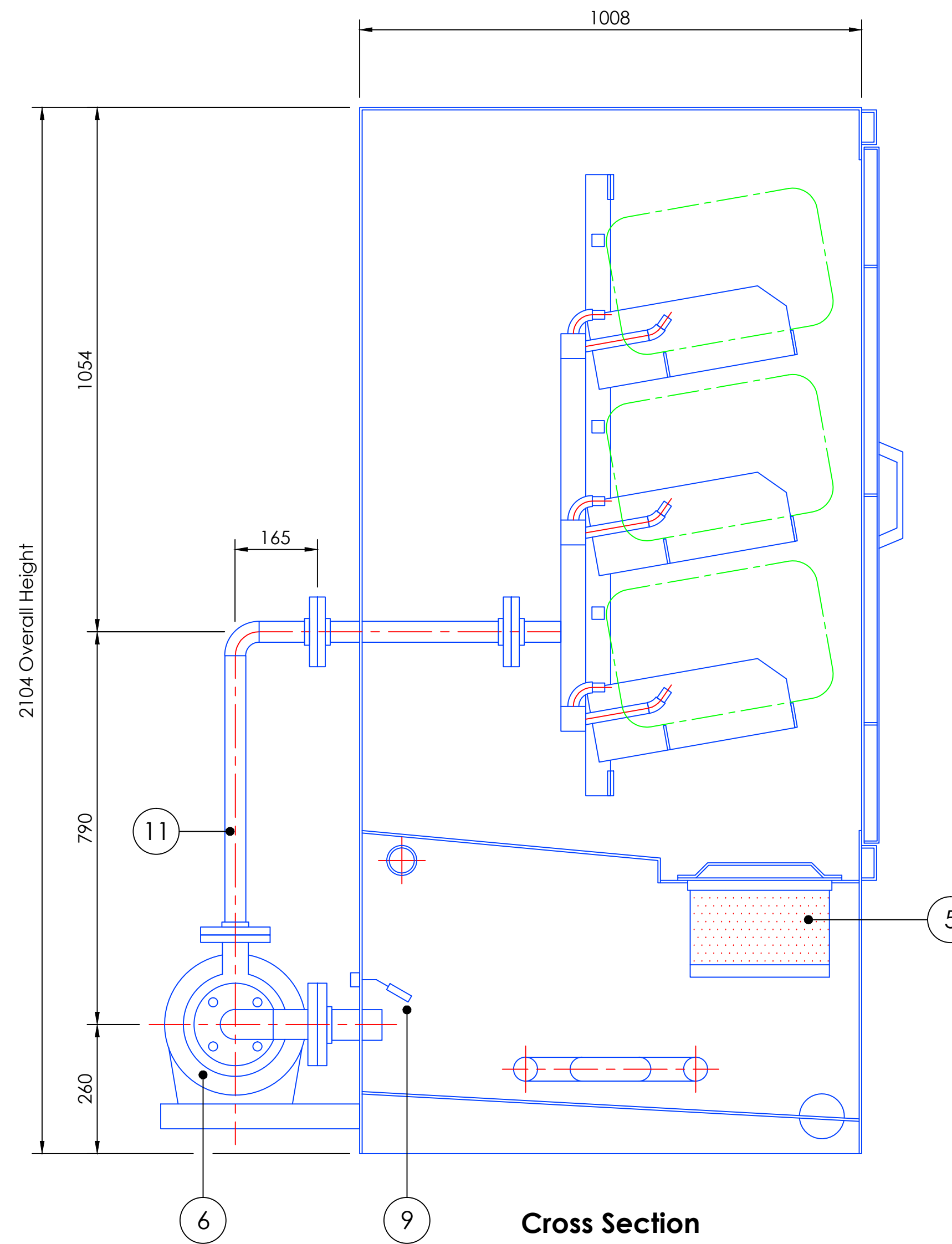
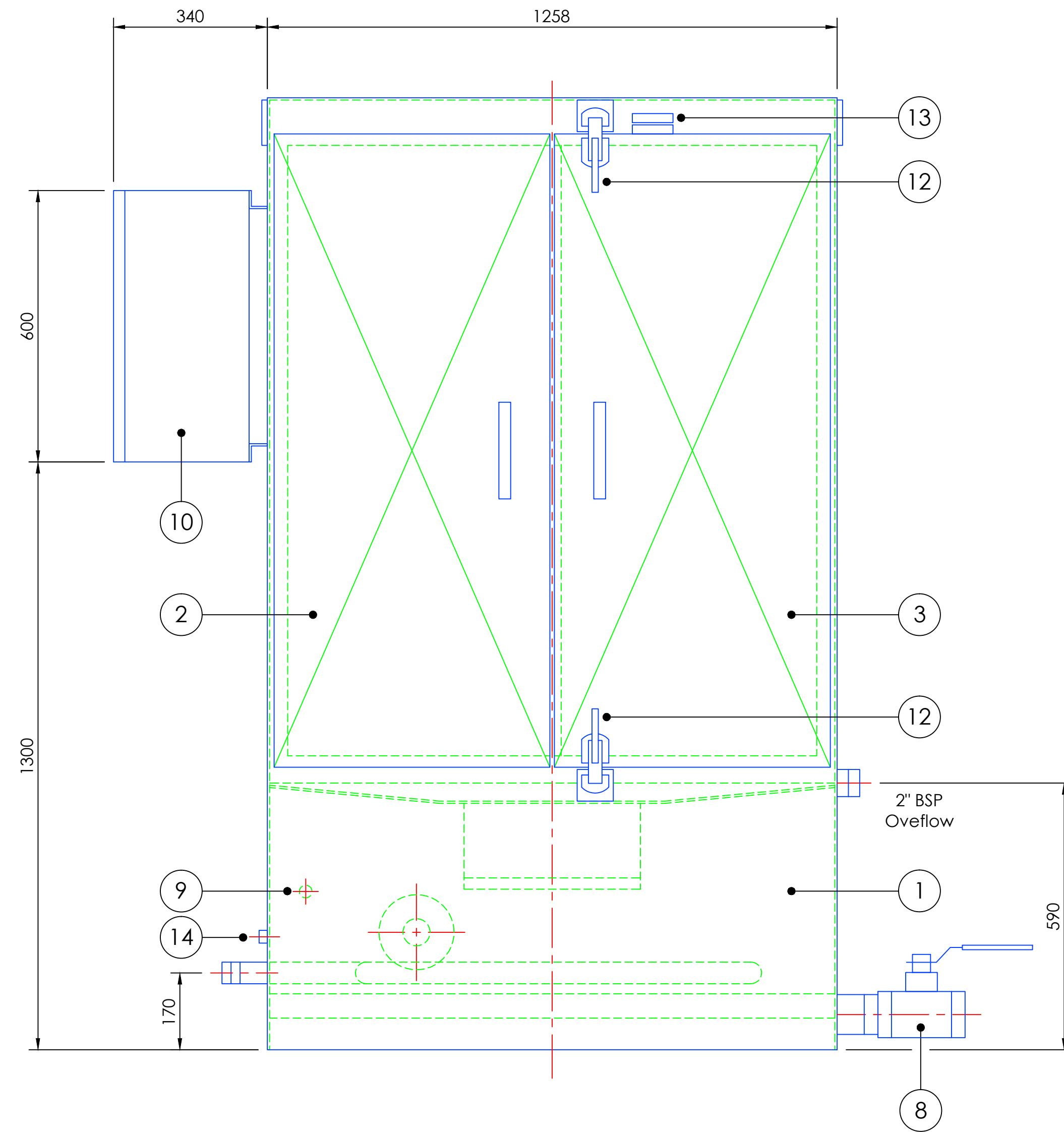
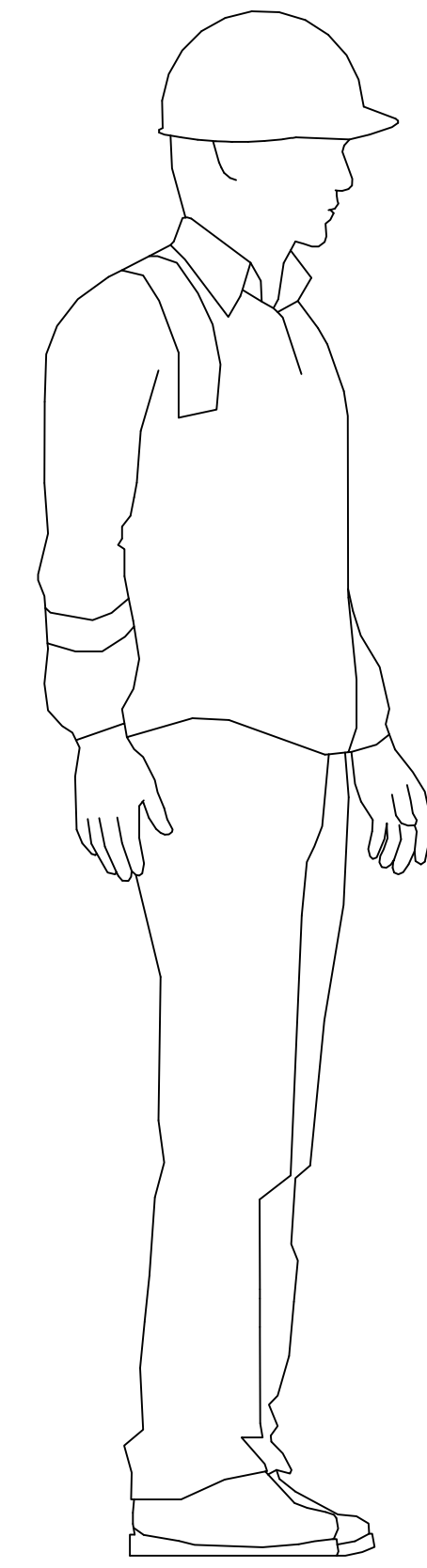


DO NOT SCALE - IF IN DOUBT ASK



PARTS LIST

Item	Description	Material	Qty	Ref. Drg.
1	Washer Body Item 3348 - A	Stainless Steel 304L	1	DA 3348
2	LH Door Item 3348 - B	Stainless Steel 304L	1	DA 3348
3	RH Door Item 3348 - C	Stainless Steel 304L	1	DA 3348
4	Spray Jet Manifold and Carrier Assembly	Stainless Steel 304L	1	DA 3351
5	Filter Basket Item 3352 - A	Stainless Steel 304L	1	DA 3352
6	Lowara Pump ESHE 32 - 200 / 40 - 4 KW	Stainless Steel	1	
7	DN50 Lug Type Butterfly Valve Z 014 - A	-	1	
8	3" BSP - DN80 Ball Valve (Drain)	-	1	
9	Low Water Level Switch	Type RFS - 12P - SUS304	1	
10	Electrical Control Panel - 600 x 600 x 300	-	1	
11	Pump Pipework			
	DN50 PN16 RFSO Flange - BS EN 1092	Stainless Steel 304L	1	
	DN32 PN16 RFSO Flange - BS EN 1092	Stainless Steel 304L	2	
	2" NB x Sch 10S Pipe x 200 Long	Stainless Steel 304L	1	Cut to Length
	1.25" NB x Sch 10S Pipe x 700 Long	Stainless Steel 304L	1	Cut to Length
	2" NB x Sch 10S 90° LR Weld Elbow	Stainless Steel 304L	1	
	1.25" NB x Sch 10S 90° LR Weld Elbow	Stainless Steel 304L	1	
12	Kason Trigger Action Latch Type 0930A00008	Chrome Plated	2	
13	Guard Master Door Interlock	-	1	
14	Thermostat - Type PT100	-	1	

APPROVED BY :
 1. This drawing is copyright and is the property of Rotajet Systems Ltd. It is not to be copied or reproduced in whole or in part except under written agreement.
 2. Do not scale this drawing. Any discrepancy to be reported to Rotajet Systems Ltd.
 3. This drawing to be read in conjunction with all Engineers , Architects or any other relevant drawings and specifications.

ON BEHALF OF :
 MATERIAL U.N.O. STAINLESS STEEL 304L
 FINISH / COATING U.N.O.
 ALL WELDS U.N.O. CONTINUOUS FILLET
 TOLERANCES U.N.O. 0 - 1000mm ± 1mm OVER 1000mm ± 2mm
 CONTRACT / JOB No.

Rev	Date	By	Description

CLIENT
 PROJECT **25 LITRE CONTAINER WASHER**
 TITLE **WASHER ASSEMBLY**

ROTAJET SYSTEMS LIMITED
 Unit 14 , Flanshaw Way , Wakefield
 West Yorkshire , WF2 9LP
 Tel : 01924 271446

DRAWN	CHECKED	DATE	SCALE	DRAWING No.	REVISION
DE		13.11.18	1:10	DA 3349	