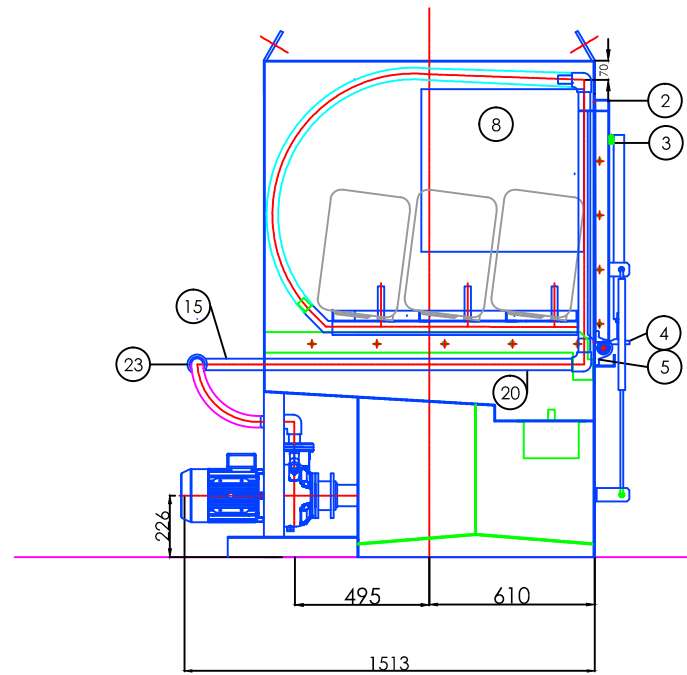
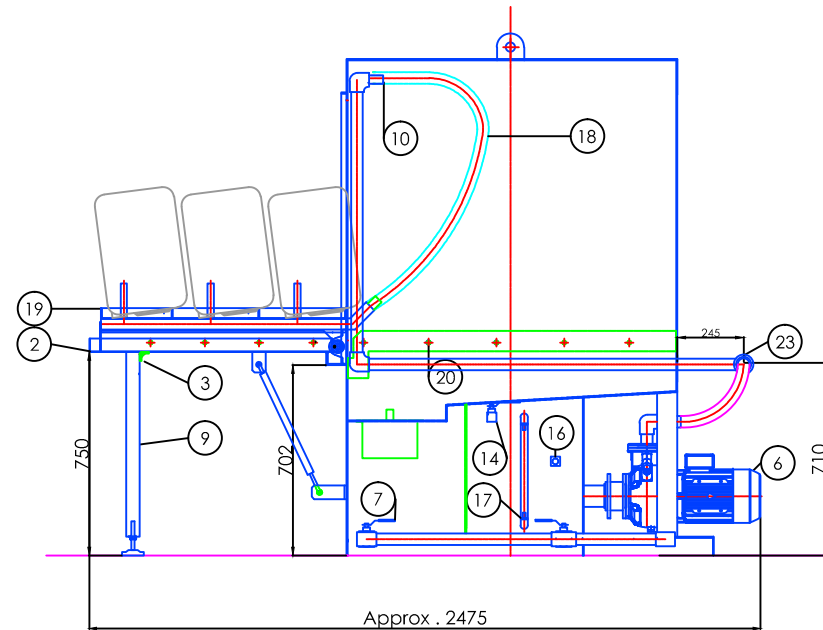


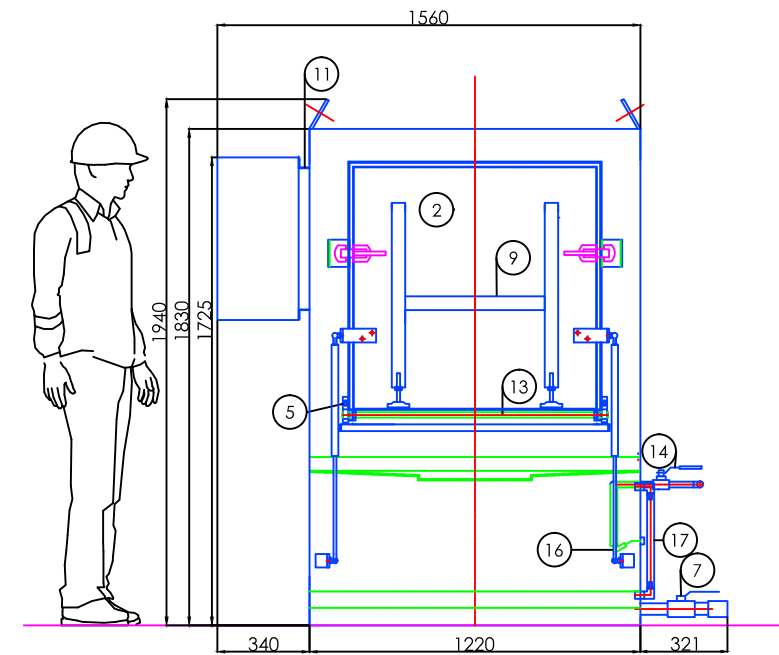
DO NOT SCALE - IF IN DOUBT ASK



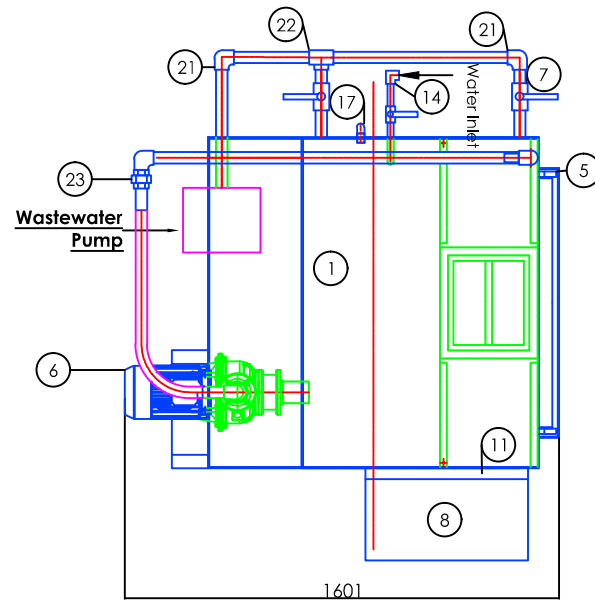
Side View Door Close



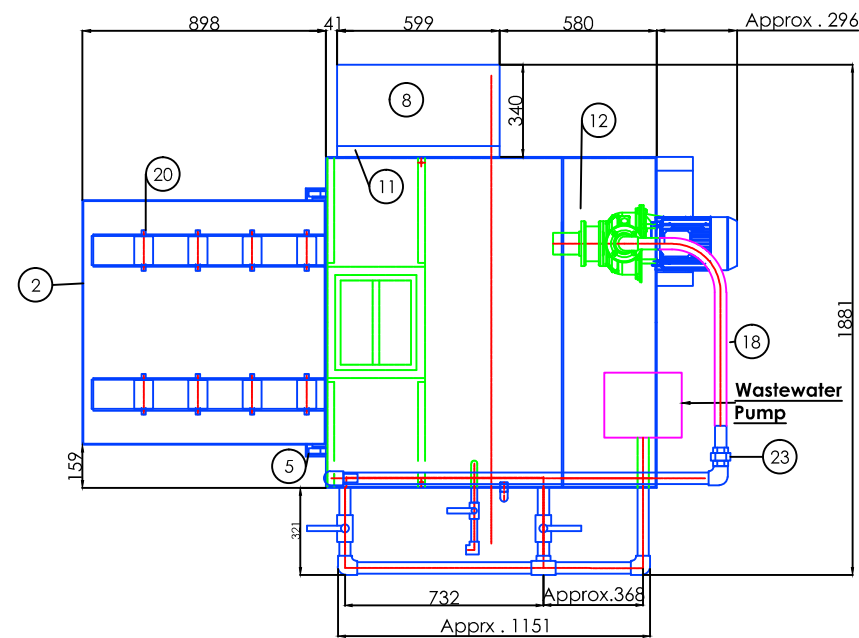
Side View Door Open



View A-A



Plan View Door Close



Plan View Door Open

Note :  
All Motors ( except Pump Motors )  
to be fitted with local Isolators

PARTS LIST				
Item	Description	Material	Qty	Ref. Drg.
1	Machine Body	Stainless Steel 304L	1	DA 3300
2	Door	Stainless Steel 304L	1	DA 3301
3	GN337-ZD- 50-50-A-SW	Zinc Die Casting-Plastic Coated	2	
4	Levelling Foot Type WDS 778 - 20660	Nickel Plate Steel	2	
5	SL20 RHP 20mm Pillow Block Bearing		2	
6	Lowara Pump Type SHE 32 - 200 / 40-4KW		1	
7	1/2" Pipe Drain	BS EN 10025 S275	2	
8	Electrical Control Panel - 600 x 600 x 300	Mild Steel	1	
9	Legs	Stainless Steel 304L	2	DA 3303
10	1/2" Hosetail	BS EN 10025 S275	2	
11	40 x 40 x 3 Angle	Stainless Steel 304L	2	
12	DN50 Butterfly Valve Type Z014-A	Stainless Steel 304L	1	EBRO
13	Shaft	Stainless Steel 304L	1	DA 3302
14	Solenoid Valve 110VHC	Stainless Steel 304L	1	Hailima
15	Water Inlet Pipework- 1/2" Pipe	BS EN 10025 S275	1SET	DA 3304
16	Level Switch - Type RFS - 12P - SUS304	Stainless Steel 304L	1	
17	Water Level Indicator		1	
	90° Elbow 1/2in R ( T ) Female x 1/2in R ( T ) Male	BS EN 10025 S275	2	
	1/2" Full Socket	BS EN 10025 S275	2	
	1/2" Hosetail	BS EN 10025 S275	2	
	1/2" Pipe	BS EN 10025 S275	1	
18	1/2" Flexible Pipe Apx. 2500 Length	BS EN 10025 S275	1	
19	Basket	Stainless Steel 304L	1	DA 3306
20	Rollers	Stainless Steel 304L	2 Each	DA 3307
21	1/2" Elbow 90°	BS EN 10025 S275	2	
22	1/2" Tee	BS EN 10025 S275	1	
23	1/2" Union	BS EN 10025 S275	1	
24	Extruded Seal E32 6278 / 007		1	

<p>APPROVED BY :</p> <p>1. This drawing is copyright and is the property of Rotajet Systems Ltd. It is not to be copied or reproduced in whole or in part except under written agreement.</p> <p>2. Do not scale this drawing. Any discrepancy to be reported to Rotajet Systems Ltd.</p> <p>3. This drawing to be read in conjunction with all Engineers , Architects or any other relevant drawings and specifications.</p>	ON BEHALF OF :		CLIENT		<p><b>ROTAJET SYSTEMS LIMITED</b> Unit 14 , Flanshaw Way , Wakefield West Yorkshire , WF2 9LP Tel : 01924 271446</p>								
	MATERIAL U.N.O.	STAINLESS STEEL 304L								PROJECT	<b>DRUM WASHER</b>		
	FINISH / COATING U.N.O.				TITLE	<b>MACHINE ASSEMBLY</b>		DRAWN	CHECKED	DATE	SCALE	DRAWING No.	REVISION
	ALL WELDS U.N.O.	CONTINUOUS FILLET	Rev	Date	By	Description	MH		4.10.18	1:13.2	<b>DA 3299</b>	<b>1</b>	
TOLERANCES U.N.O.	0 - 1000mm ± 1mm OVER 1000mm ± 2mm												
CONTRACT / JOB No.	<b>2460</b>												