

## The RJ-D-DW Series of drum washers

### Features

- Modular, batch system for easy expansion
- Optional rinse and drying stages.
- Cleans internally and externally
- Throughputs of up to 200 drums in an 8 hour day
- Efficient and safe for operators

### Cleaning Agents

- Detergent and water
- Alternative “green” solvents
- Caustic Solutions
- Flammable solvents

Rotajet Systems Ltd.  
14 Flanshaw Way  
Wakefield  
West Yorkshire  
WF2 9LP



## Drum Washers - RJ-D-DW Series

The RJ-D-DW Series have been manufactured to clean and decontaminate drums quickly and easily. Each are fitted with high pressure spray nozzles that achieve complete coverage, ensuring complete decontamination

During the cleaning operation, the machines can either be heated or run at ambient temperature. Rotajet offers these drum and barrel washers with a choice of a single stage wash, two-stage wash and rinse or a three stage wash, rinse and final rinse.

The drum washing machines are offered as a D40, a single position machine (one barrel or drum washed per cycle) or a D60, a 4 position machine (4 drums or barrels washed per cycle).

Rotajet fit the machines with integral sumps which contain the washing and rinsing cleaning liquids, these sumps are fitted with coarse and fine filtration that prolongs the operating life of the solutions.



Fig. 1: Drum Washer Series RJ-D40-DW/2



Fig. 2 & 3: Drum Washer Series RJ-D40-DW

	RJ-D40-DW	RJ-D40-DW/2	RJ-D60-DW	RJ-D60-DW/2
<b>Throughput</b>	6 p/h	12 p/h	24 p/h	48 p/h
<b>Available Cleaning Solutions</b>				
<b>Aqueous Solution</b>	✓	✓	✓	✓
<b>Green Solvents</b>	✓	✓	✓	✓
<b>Caustic Solution</b>	✓	✓	✓	✓
<b>Flammable Solvents</b>	✓	✓	✓	✓

### Automated Solutions

If you require a higher throughput rate Rotajet Systems also manufacture automated drum washers that have the option to not only wash but rinse, dry, pressure test and crush drums.

The drums can be manually loaded onto a walking beam which walks the drums through the machine. The smallest machine, a single track drum washer, will clean up to 60 drums per hour. Rotajet can increase the number of stations, increasing the throughput to 100 drums per hour. Due to the transfer times, after 100 drums per hour, we recommend that a multi-track machine is used.



**Fig. 4:** Schematic Drum Washer RJ-DW200

### ATEX Certified Solutions

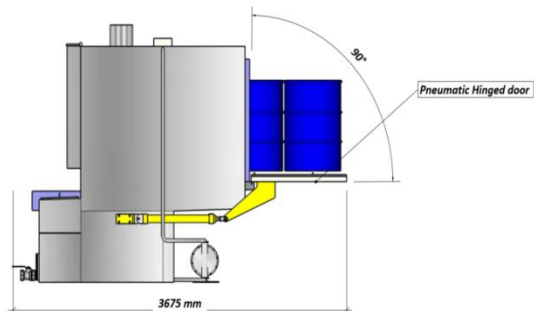
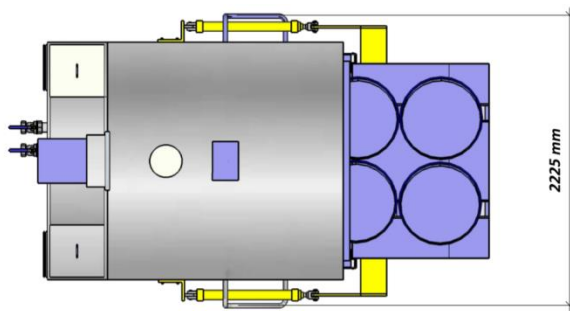
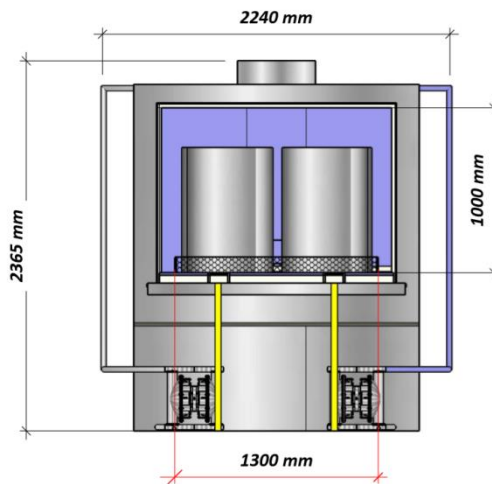
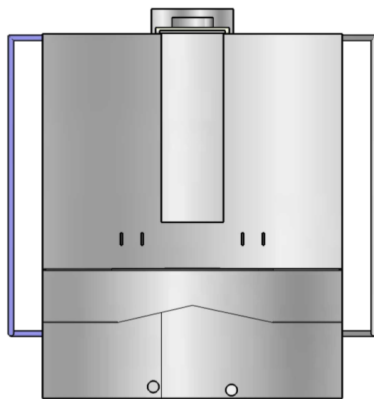
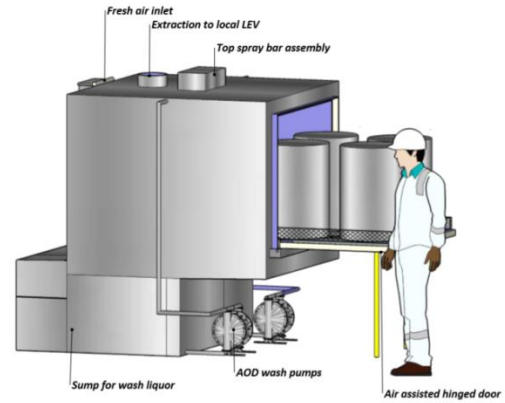
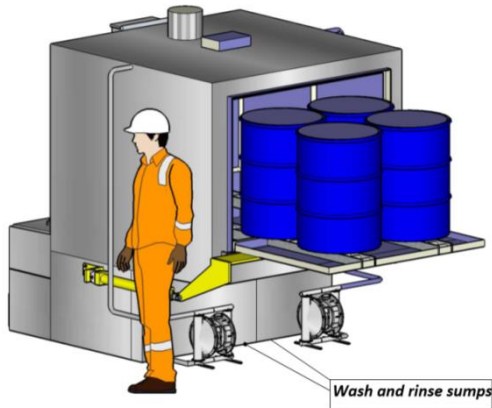
When cleaning with flammable solvents it is important to safeguard the operator by reducing the risk of combustion. Each product in the RJ-D-DW Series is available as an ATEX certified machine.

The ATEX parts washing can be supplied as a single stage or two stage machine, where the second stage uses a clean solvent for the final rinse. Typically in a two-stage ATEX machine, the final rinse solvent is discharged into the wash solvent for reuse. The dirty solvent in the wash tank, when spent, is normally pumped out and processed in a distillation unit prior to being reused.

The Rotajet ATEX parts washers and Bucket washers are fitted with an integral solvent sump, coarse filtration, cycle timers, wash pump, clean-out doors and extraction. To ensure the safety of your operator the machine is fully interlocked when cycles are running.

The typical users of these machines are:

- **Paint manufactures:** Solvent washing machine parts, valves and mixing heads contaminated with paint.
- **Ink manufacturers:** Solvent washing machine parts, valves and mixing heads contaminated with ink.
- **Printing companies:** Solvent washing, press parts, plate washing, press cylinders, anilox and gravure roller cleaning.



### Our Products Range

- Plastic Washers
- Plastic Dryers
- Sink Float Tanks
- Granulators
- Shredders
- Feed Hoppers
- Conveying systems



### Rotajet Systems Ltd.

14 Flanshaw Way  
Wakefield  
West Yorkshire  
WF2 9LP  
United Kingdom  
(+44)1924 271446  
Email: info@rotajet.co.uk  
www.plasticwashing.co.uk